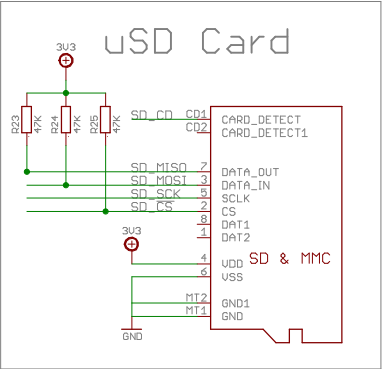
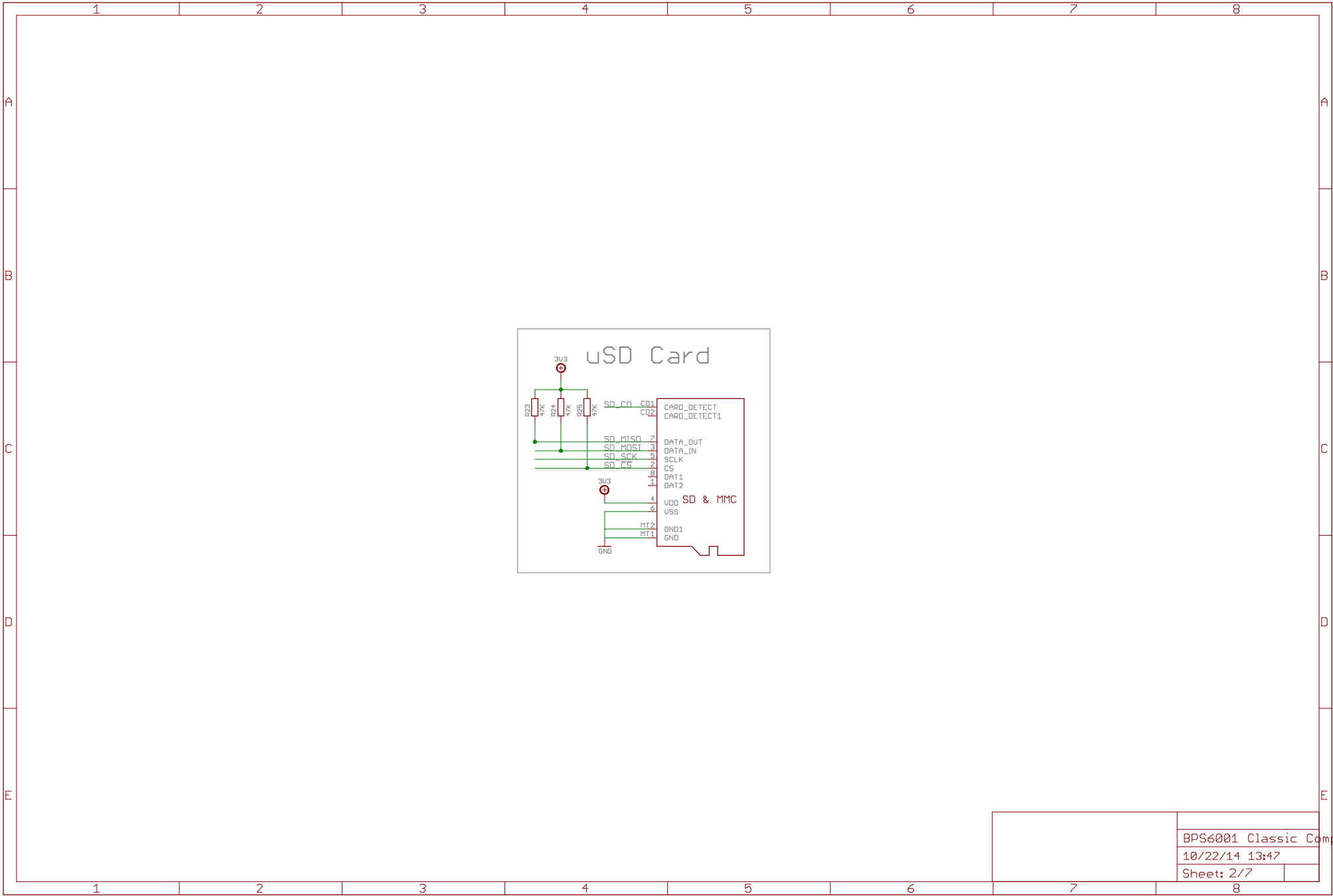
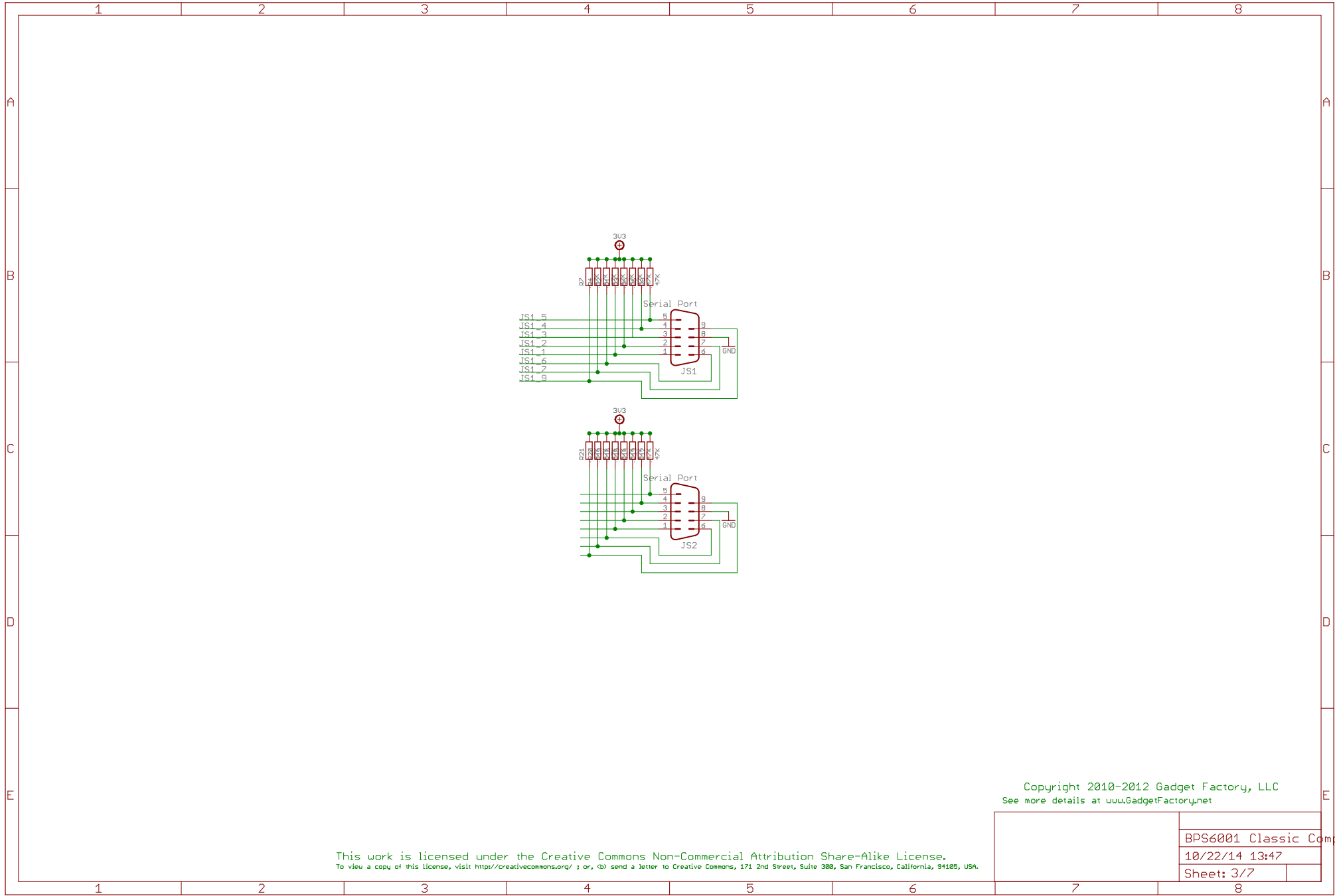


This work is licensed under the Creative Commons Non-Commercial Share-Alike Attribution License.
To view a copy of this license, visit <http://creativecommons.org/> or, (b) send a letter to Creative Commons, 171 2nd Street, Suite 300, San Francisco, California, 94105, USA.

BPS6001 Classic Computing Shield
10/22/14 13:47
Sheet: 1/7



BPS6001 Classic Computing Shield	
10/22/14 13:47	
Sheet: 2/7	

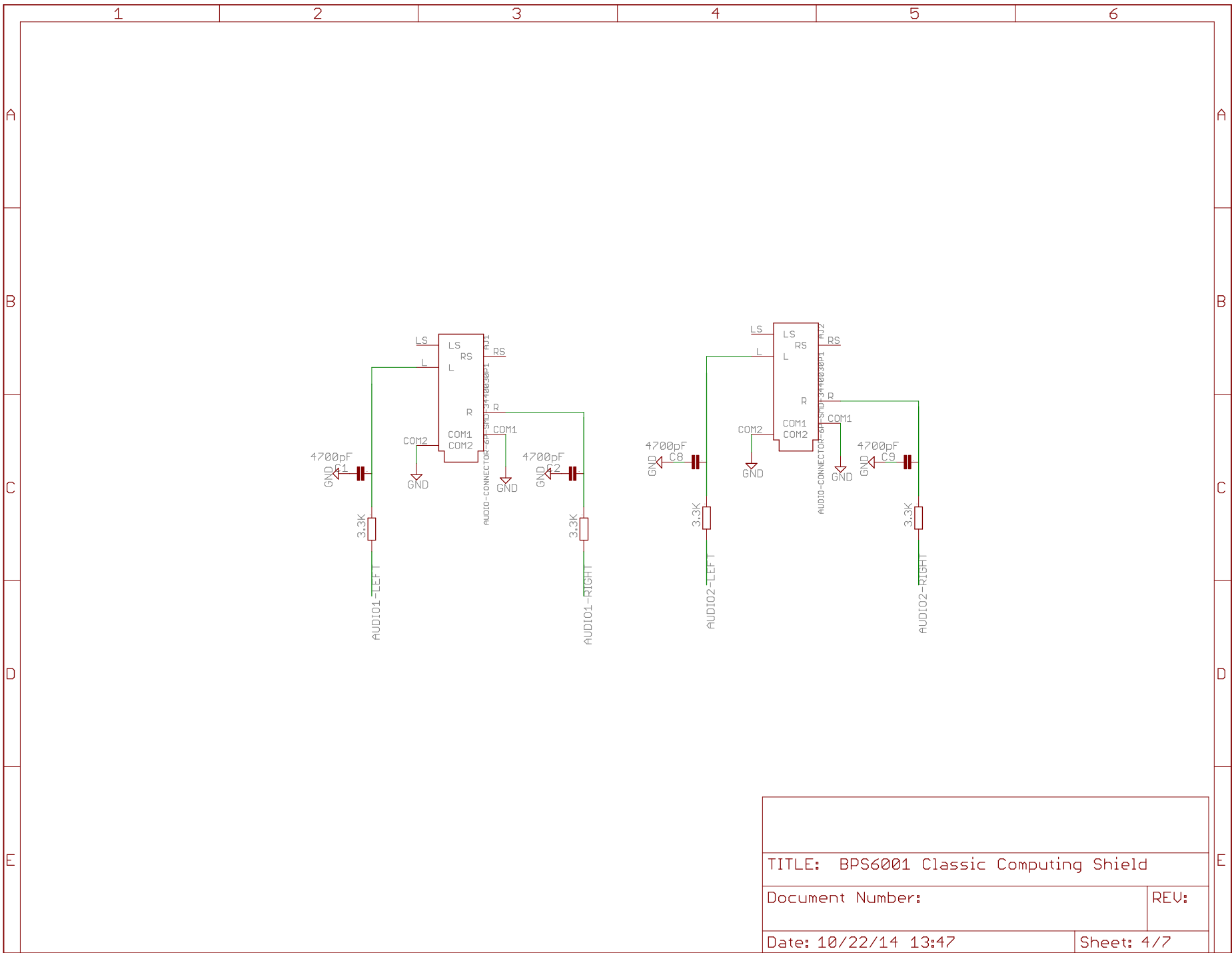


This work is licensed under the Creative Commons Non-Commercial Attribution Share-Alike License.
 To view a copy of this license, visit <http://creativecommons.org/>; or, (b) send a letter to Creative Commons, 171 2nd Street, Suite 300, San Francisco, California, 94105, USA.

Copyright 2010-2012 Gadget Factory, LLC
 See more details at www.GadgetFactory.net

		BPS6001 Classic Computing Shield
		10/22/14 13:47
Sheet: 3/7		

BPS6001 Classic Computing Shield



TITLE: BPS6001 Classic Computing Shield

Document Number:

REV:

Date: 10/22/14 13:47

Sheet: 4/7

1 2 3 4 5 6

A

B

C

D

E

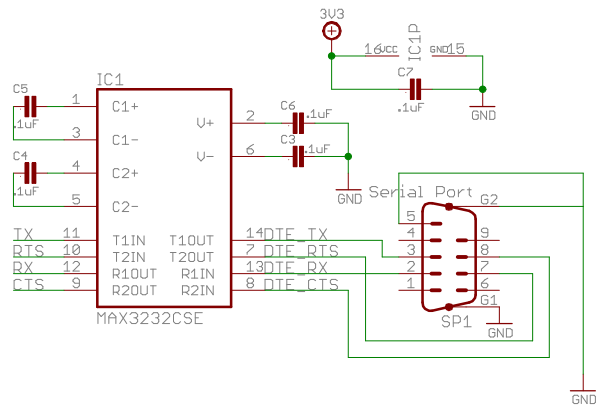
A

B

C

D

E



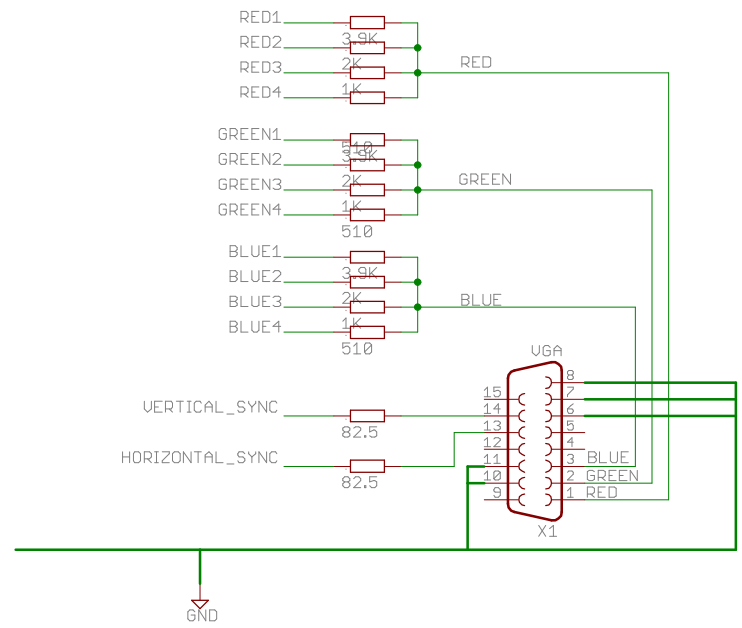
TITLE: BPS6001 Classic Computing Shield

Document Number:

REV:

Date: 10/22/14 13:47

Sheet: 5/7



TITLE: BPS6001 Classic Computing Shield	
Document Number:	REV:
Date: 10/22/14 13:47	Sheet: 6/7

